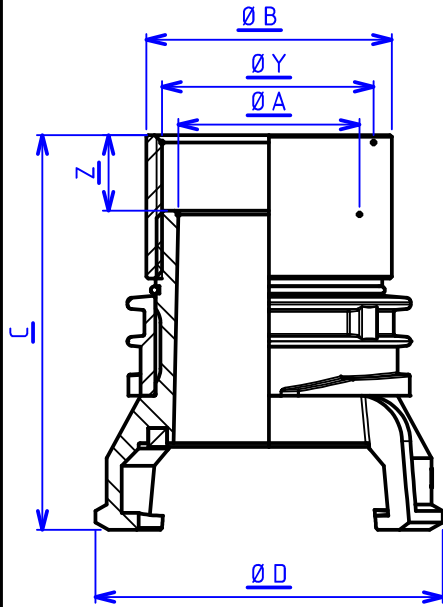
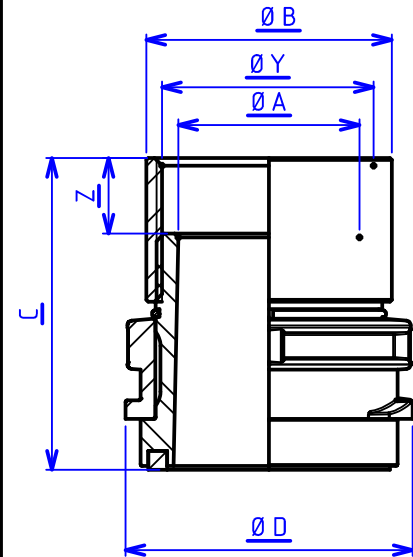


RACCORD SYMETRIQUE A VERROU DOUILLE FILETEE FEMELLE



DN	FILETAGE	REFERENCE	COTE A	COTE B	COTE Y	COTE C	COTE D	COTE Z	-	POIDS
DN 20	G 3/4"	80/9205080	20	30	3/4"	62	47	13	-	0.06
DN 25	G 1"	80/9255080	24	38	1"	65	54	14	-	0.085
DN 32	G 1"1/4	80/9305080	30	48	1"1/4	69	62.5	14	-	0.105
DN 40	G 1"1/2	80/9405080	40	55	1"1/2	87	75	18	-	0.205
DN 40	G 2"	80/9405080/2"	40	65	2"	89	75	19	-	0.250
DN 50	G 1"1/2	80/9505180	45	60	1"1/2	70	92.5	21	-	0.375
DN 50	G 2"	80/9505080	49	67	2"	105	92.5	14	-	0.275
DN 65	G 2"1/2	80/9655080	65	83	2"1/2	110	108	19	-	0.56
DN 65	G 2"	80/9655080/2"	54	83	2"	110	108	23	-	0.6
DN 65	G 3"	80/9655080/3"	65	101	3"	110	108	26	-	0.65
DN 80	G 2"1/2	80/9805080/2"1/2	72	80	2"1/2	94	131.5	19	-	0.56
DN 80	G 3"	80/9805080	80	94	3"	102	131.5	26	-	0.535
DN 100	G 3"	80/9005080/3"	80	110	3"	89	151	28	-	1.07
DN 100	G 2"1/2	80/9005080/2"1/2	70	112	2"1/2	87	151	25	-	0.84
DN 100	G 4"	80/9005080	99	122	4"	135	151	20.5	-	0.950
DN 150	G 6"	80/9150080	149	179	6"	123.5	239	38.5	-	2.46
DN 150	G 4"	80/9150180	100	130	4"	218.5	239	28	-	4.21
-	-	-	-	-	-	-	-	-	-	-
DN80	G2"	80/9805080/2"	56	75	2"	90	131.5	19	-	0.68
-	-	-	-	-	-	-	-	-	-	-

RACCORD A VERROU FILETE FEMELLE SANS MACHOIRES



DN	FILETAGE	REFERENCES	COTE A	COTE A	COTE Y	COTE C	COTE D	COTE Z	-	POIDS
DN 50	G 2"	80/9505080SM	49	67	2"	82	75	21	-	0.375
DN 65	G 2"1/2	80/9655080SM	64	86	2"1/2	86	94	23	-	0.465
DN 80	G 3"	80/9805080SM	80	94	3"	76	114	27	-	0.54
DN 100	G 4"	80/9005080SM	99	124	4"	106	135	28	-	1.03
-	-	-	-	-	-	-	-	-	-	-
-	-	-	-	-	-	-	-	-	-	-
-	-	-	-	-	-	-	-	-	-	-
-	-	-	-	-	-	-	-	-	-	-
-	-	-	-	-	-	-	-	-	-	-
-	-	-	-	-	-	-	-	-	-	-
-	-	-	-	-	-	-	-	-	-	-
-	-	-	-	-	-	-	-	-	-	-
-	-	-	-	-	-	-	-	-	-	-
-	-	-	-	-	-	-	-	-	-	-
-	-	-	-	-	-	-	-	-	-	-
-	-	-	-	-	-	-	-	-	-	-

MATIERE : AS7G06 T6

FICHE TECHNIQUE

JOINT NBR BLANC EN STANDARD

TRIBOULET

WWW.TRIBOULET-INDUSTRIE.COM

PIECES CONFORME NF E 29572
FILETAGE ISO 228-1
COTES HORS NORMES INDICATIVES

RACCORD SYMETRIQUE A VERROU DOUILLE FILETEE FEMELLE

CHAPITRE CATALOGUE 1.10 1.11