

Performances selon norme ISO 9906 - Annexe A

Liquid temperature:

Informations valables pour:

-10°C (14°F) to +110 °C (230°F) for heating pumps

Eau, claire [100%]; 4°C; 1000kg/m³; 1,57mm²/s

-10°C (14°F) to +85 °C (185°F) for domestic hot water pumps



Caractéristiques pompe

Fabricant	Lowara
Port to port (mm)	220
Electrical connection	Terminals
Specific EEI	<= 0,23
Nominal pressure	PN 6/10
Connection	A bride / DN 32

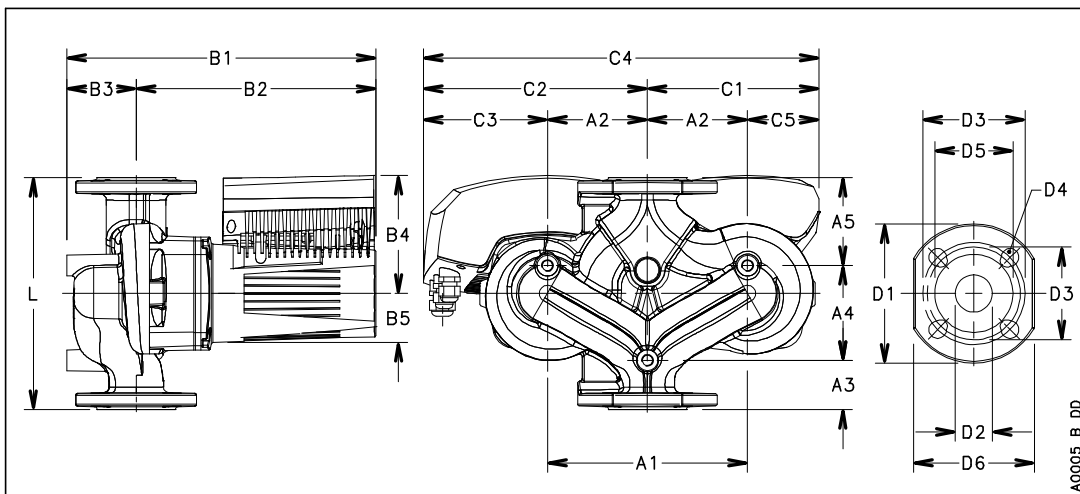
Electrical data

Rated voltage	230 V
Fréquence	50 / 60
Protection class	IP 44
Classe d'isolation	F
Digital input	Contact load: 5V, 10 mA
Digital output	Vmax < 250 VAC / Imax < 2 A
Analog input	0-10 V / 4-20 mA
Courant de fuite	< 3.5 mA
Communication capabilities	No communication protocol
Niveau sonore	<= 48 dB(A)
Dimensioning current	2,3 A

Materials

Bush Bearing	Carbone imprégné de résine	Roue	PPS
Thrust bearing	Oxide d'aluminum	Wear ring	Acier inox
Bearing plate	Acier inox	Rotor can	Acier inox
Motor housing	Aluminum	Arbre	Acier inox
O-rings	EPDM	Control box	Poly carbonate
Pump housing	EN-GJL		

Dimensions mm



A1	215
A2	107,5
A3	43
A4	97
A5	80
B1	322
B2	252
B3	70
B4	132
B5	53
C1	185,5
C2	235,5
C3	128
C4	421
C5	78
D1	140
D2	32
D3	90/100
D4	4 x 14/19
D5	76
G	DN 32
Gross Weight	34,9