

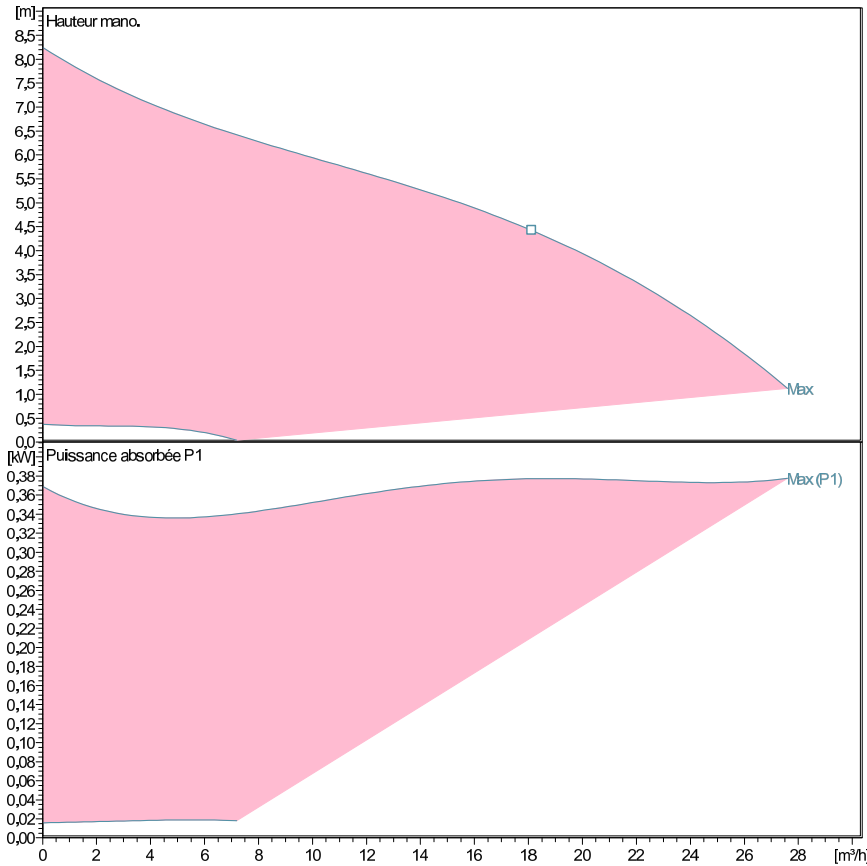


Caractéristiques pompe

Fabricant	Lowara
Port to port (mm)	240
Electrical connection	Terminals
Specific EEI	≤ 0,23
Nominal pressure	PN 6/10
Connection	A bride / DN 50

Electrical data

Rated voltage	230 V
Fréquence	50 / 60
Protection class	IP 44
Classe d'isolation	F
Digital input	Contact load: 5V, 10 mA
Digital output	Vmax < 250 VAC / Imax < 2 A
Analog input	0-10 V / 4-20 mA
Courant de fuite	< 3.5 mA
Communication capabilities	No communication protocol
Niveau sonore	≤ 48 dB(A)
Dimensioning current	1,7 A



Performances selon norme ISO 9906 - Annexe A

Liquid temperature:

Informations valables pour:

Eau [100%]; 4°C; 1000kg/m³; 1,57mm²/s

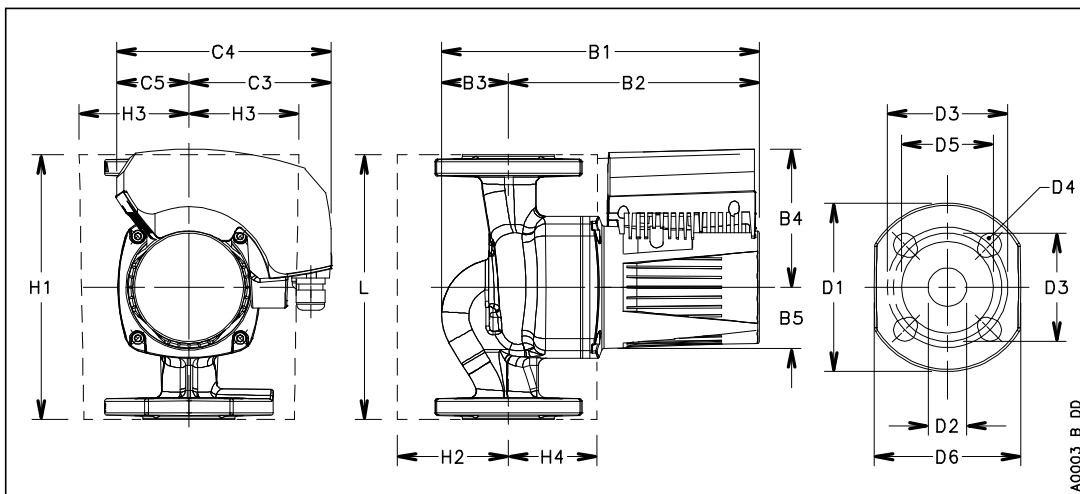
-10°C (14°F) to +110 °C (230°F) for heating pumps

-10°C (14°F) to +85 °C (185°F) for domestic hot water pumps

Materials

Bush Bearing	Carbone imprégné de résine	Roue	PPS
Thrust bearing	Oxide d'aluminium	Wear ring	Acier inoxydable
Bearing plate	Acier inoxydable	Rotor can	Acier inoxydable
Motor housing	Aluminum	Arbre	Acier inoxydable
O-rings	EPDM	Control box	Poly carbonate
Pump housing	EN-GJL		

Dimensions mm



B1	355
B2	261
B3	94
B4	132
B5	53
C3	128
C4	206
C5	78
D1	465
D2	50
D3	110/125
D4	4 x 14/19
D5	100
G	DN 50
Gross Weight	19,7
H1	230
H2	93
H3	93
H4	93
L	240
Net Weight	15,9