

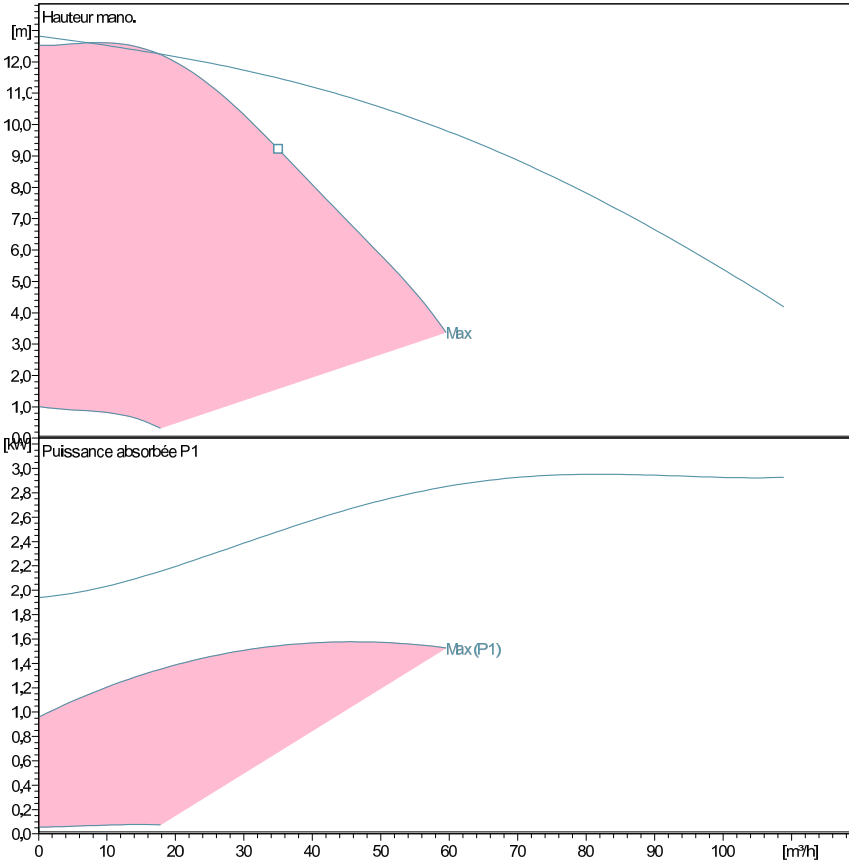


Caractéristiques pompe

Fabricant	Lowara
Port to port (mm)	360
Electrical connection	Terminals
Specific EEI	≤ 0,23
Nominal pressure	PN 6
Connection	A bride / DN 80

Electrical data

Rated voltage	230 V
Fréquence	50 / 60
Protection class	IP 44
Classe d'isolation	F
Digital input	Contact load: 5V, 10 mA
Digital output	Vmax < 250 VAC / Imax < 2 A
Analog input	0-10 V / 4-20 mA
Courant de fuite	< 3.5 mA
Communication capabilities	No communication protocol
Niveau sonore	≤ 55 dB(A)
Dimensioning current	6,6 A



Performances selon norme ISO 9906 - Annexe A

Liquid temperature:

Informations valables pour:

Eau [100%]; 4°C; 1000kg/m³; 1,57mm²/s

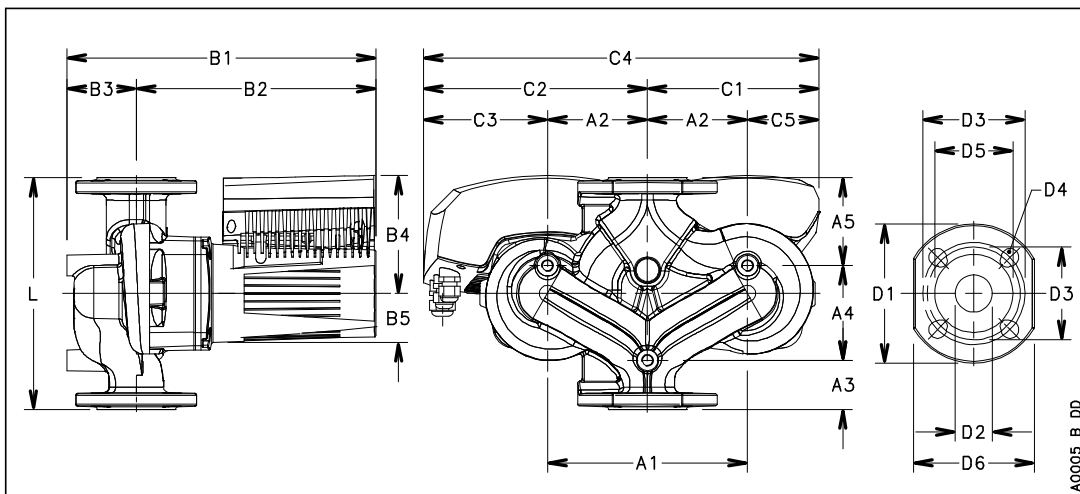
-10°C (14°F) to +110 °C (230°F) for heating pumps

-10°C (14°F) to +85 °C (185°F) for domestic hot water pumps

Materials

Bush Bearing	Carbone imprégné de résine	Roue	PPS
Thrust bearing	Oxide d'aluminium	Wear ring	Acier inoxydable
Bearing plate	Acier inoxydable	Rotor can	Acier inoxydable
Motor housing	Aluminum	Arbre	Acier inoxydable
O-rings	EPDM	Control box	Poly carbonate
Pump housing	EN-GJL		

Dimensions mm



A1	240
A2	120
A3	70
A4	145
A5	145
B1	396
B2	306
B3	90
B4	147
B5	60
C1	213
C2	268
C3	148
C4	481
C5	93
D1	200
D2	80
D3	150
D4	4 x 19
D5	132
G	DN 80
Gross Weight	61,8